



D14 D12

OFF-HIGHWAY MULTI-VIEW DUMPER TRUCKS





**HIGH VOLUME**





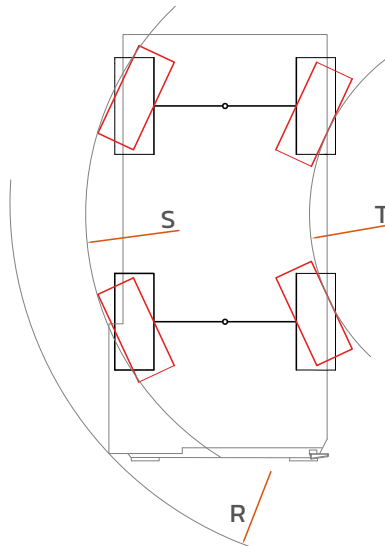
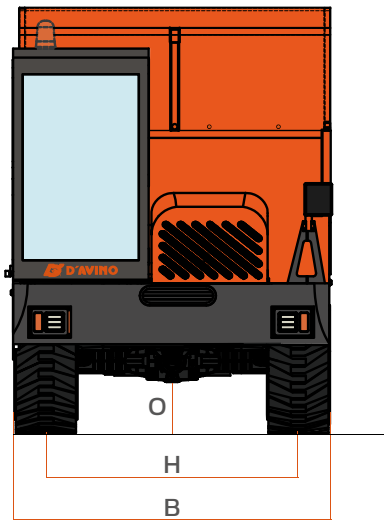
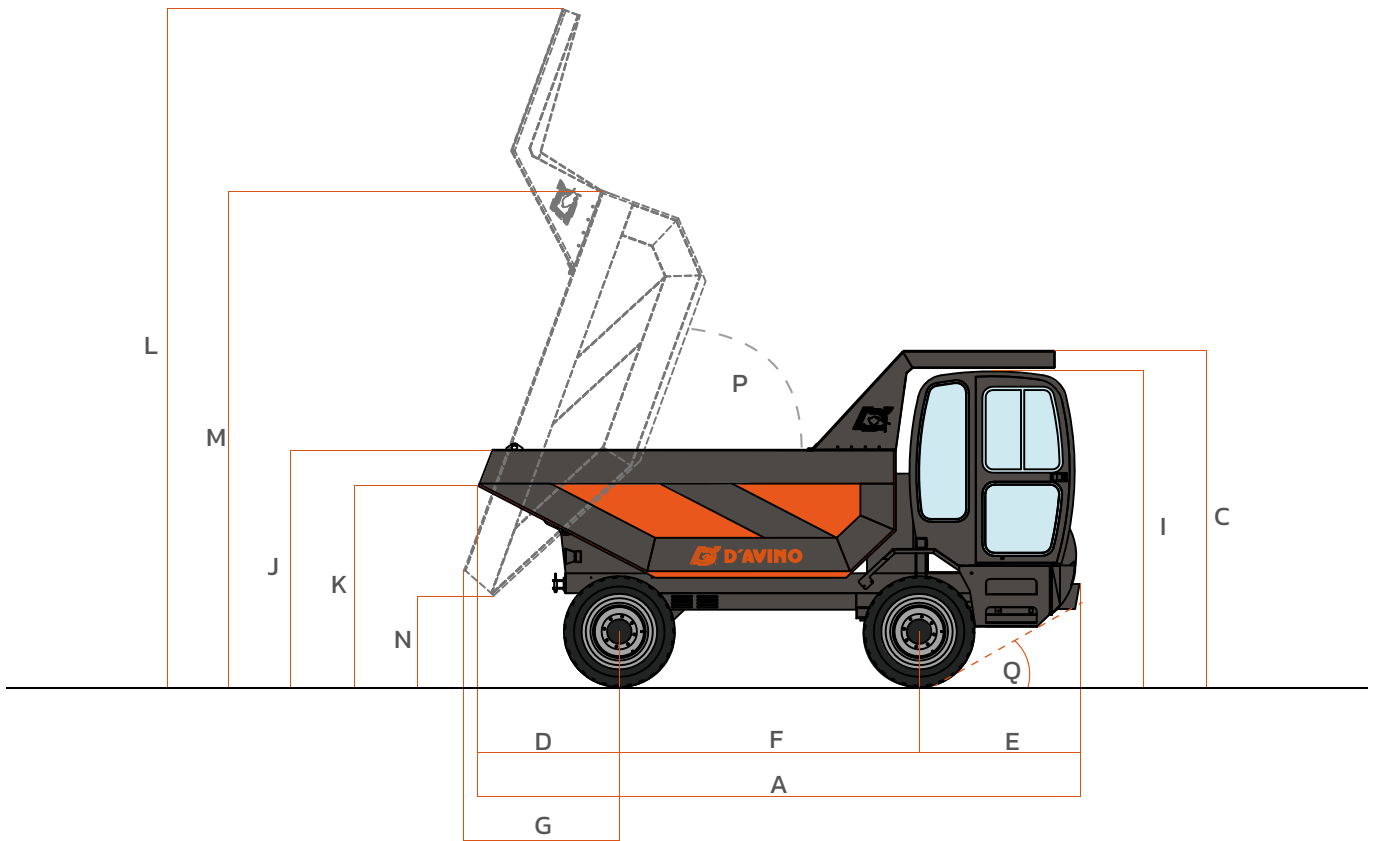
D14

D12

## Technical data

<b>GENERAL DATA</b>		<b>D14</b>	<b>D12</b>
Max load capacity	kg	14.000	12.000
Dump body water level capacity	l	4.400	4.400
Dump body struck capacity	l	6.700	6.700
Dump body heaped capacity	l	8.300	8.300
Unloading system		Rear	Rear
Drivers'seat		Rotating - Dual view	Rotating - Dual view
Frame		Fixed	Fixed
Empty weight	kg	6.170	6.170
Transmission		Hydrostatic	Hydrostatic
Cabin		Rops-Fops	Rops-Fops
<b>*ENGINE</b>			
Brand		Perkins	Perkins
Model		904J-E36TA	904J-E36TA
Power	kW	90	90
<b>DRIVING</b>			
Max speed	km/h	35	35
Gradeability	%	40	40
Turning radius	mm	5150	5150
Traction		AWS	AWS
Tyres		500/60R22.5	18-19,5 16 PR
Axle oscillation lock		Optional	Optional
<b>HYDRAULIC SYSTEM</b>			
Hydraulic system		Duble gear pump	Duble gear pump
Working pressure	bar	225	195
<b>ELECTRICAL SYSTEM</b>			
Starter motor	V/kW	12/4	12/4
Battery	V/Ah	12/110	12/110
<b>TANK CAPACITY</b>			
Fuel	l	175	175
Hydraulic	l	175	175
<b>BRAKES</b>			
Service		Hydraulic acting on both axles	
Parking		Hydraulic acting on the rear axles	
<b>APPROVALS</b>			
Road approval (Italian)		Yes	Yes

\*Stage IIIA engine available



	<b>D14</b>	<b>D12</b>
<b>A</b>	5420	5420
<b>B</b>	2550	2360
<b>C</b>	3200	3140
<b>D</b>	1305	1305
<b>E</b>	1515	1515
<b>F</b>	2580	2580
<b>G</b>	1480	1480
<b>H</b>	1960	1910
<b>I</b>	2890	2830
<b>J</b>	2280	2220
<b>K</b>	2040	1980
<b>L</b>	6200	6140
<b>M</b>	4230	4170
<b>N</b>	1070	1010
<b>O</b>	420	360
<b>P</b>	70°	70°
<b>Q</b>	27°	26°
<b>R</b>	5150	5150
<b>S</b>	4650	4650
<b>T</b>	2475	2475



AMOG srl | I-80031 Brusciano (NA) | Tel. +39 081 658 8361 | [sales@davinogroup.biz](mailto:sales@davinogroup.biz)

[davinodumper.com](http://davinodumper.com)